

ECR Interface Scale

PDN series



Optimized Platform Scales for POS/ECR System

Low profile and space-efficient product design. High brightness LED display with good visibility.



Connected to POS/ECR system



Tilt Display, Low profile

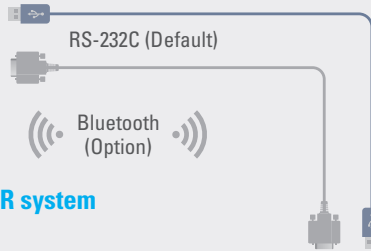


Easy to Read High brightness LED

• FEATURE

> Interface & Power Source

USB for Power Source and Communication
(USB TYPE A-PC, ADAPTOR to TYPE B-SCALE)



> Connected to POS/ECR system



> Display

Tilt Display, High brightness LED Display

> Remote Display



Dual Display(Optional)

> Body Color

(Black, Ivory)



Up to 2 m

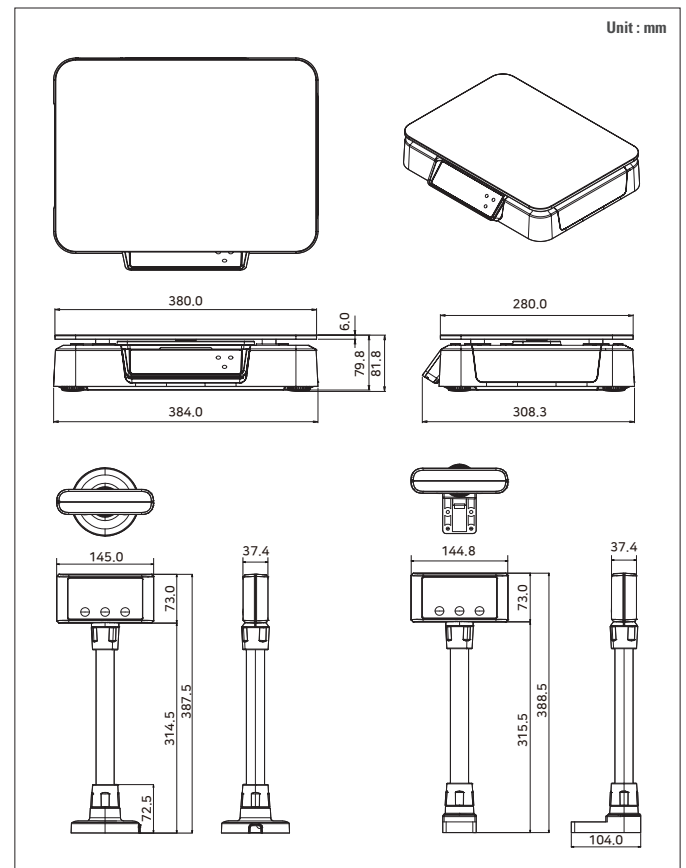
> Edge Tray(Optional)



• SPECIFICATION

Model	PDN						
	Single Interval			Dual Interval			
Capacity (kg)	Max. 6	Max. 12	Max. 30	Max. 3/6	Max. 6/15	Max. 15/30	Max. 15/32
Readability (g)	1	2	5	1/2	2/5	5/10	5/10
Internal Resolution	1/60,000	1/60,000	1/60,000	1/60,000	1/60,000	1/60,000	1/60,000
External Resolution	1/6,000	1/6,000	1/6,000	1/3,000	1/3,000	1/3,000	1/3,000 1/3,200
Max. Tare (kg)	-5.999	-11.998	-29.995	-2.999	-5.998	-14.995	-14.995
Display	94 x 28 mm / 3.7" x 1.1" 6 Digit LED						
Remote Display	94 x 28 mm / 3.7" x 1.1" 6 Digit LED						
Symbols	STABLE, ZERO, TARE, kg, lb, oz						
Keys	ZERO, TARE, FUNCTION						
Functions	Weighing, Unit Conversion, ECR Protocol, Printer Protocol, BLE (Option)						
Dimensions	384(W) x 308.4(D) x 81.8(H) mm						
Platter Size	380(W) x 280(D) mm						
Weight	5.6 kg						
Power	USB 5V or USB Adaptor (5V, 1000mA/Option)						
Operating Temperature	-10°C ~ +40°C / 14°F ~ 104°F						
Option	DEP-50, DLP-50 Printer (RS-232C Only) / BLE Module						

• DIMENSION



Unit : mm



PDN Basic Type (BLACK)



PDN Remote Display



PDN User Display Type (IVORY)

Ver. 1.1 90900202



CAS Global Homepage

CAS CORPORATION

CAS BLDG., 1315, YANGJAE-DAERO
GANGDONG-GU, SEOUL, KOREA
TEL_82 2 2225 3500 / FAX_82 2 475 4668

www.globalcas.com



* Specifications are subject to change without notice improvement.

